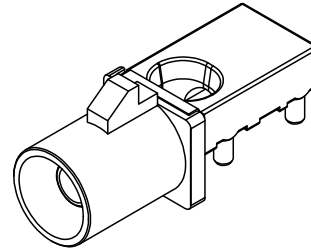
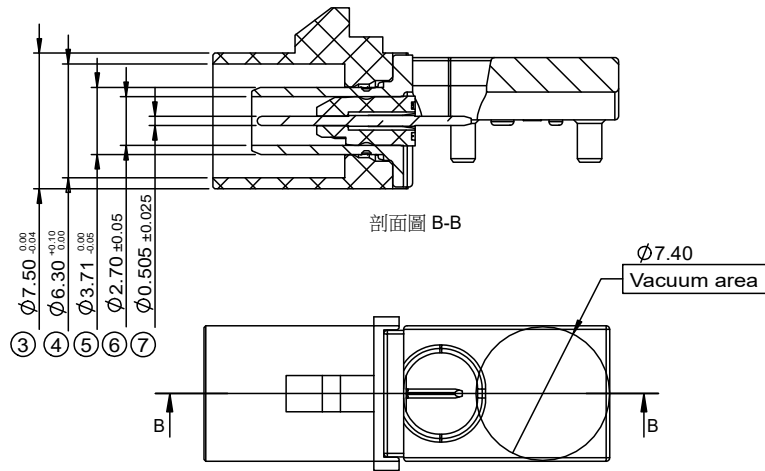


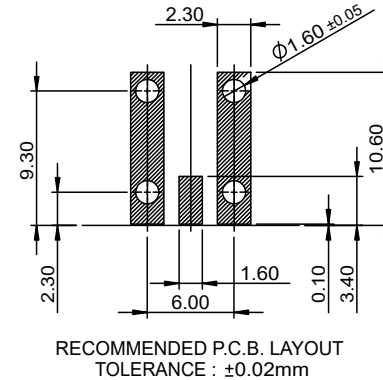
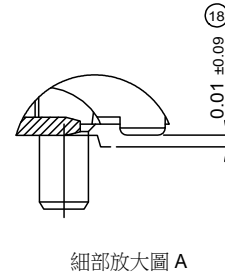
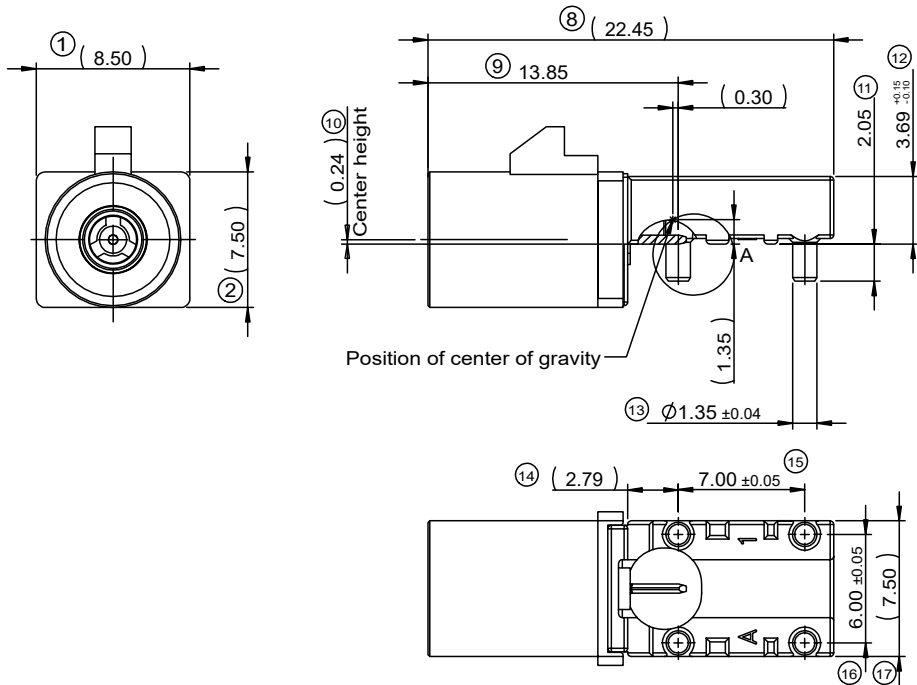
THIS DRAWING AND THE DATA DISCLOSED HEREIN OR HERewith IS NOT TO BE REPRODUCED USED OR DISCLOSED IN WHOLE OR IN PART TO ANYONE WITHOUT THE PERMISSION OF JESS-LINK PRODUCTS CO.,LTD.(JPC)

CUSTOMER DRAWING  
DRWC-007694

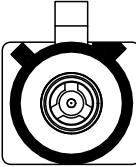
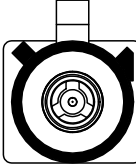
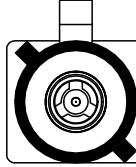
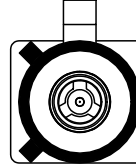
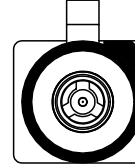
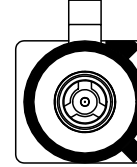
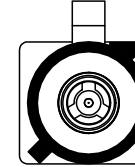
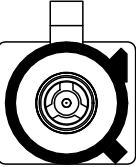
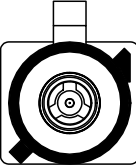
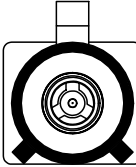
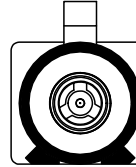
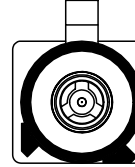
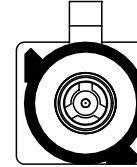
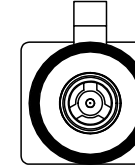
REV.	ECN NO.	DESCRIPTION	MDF'D	APP'D	DATE
01		INITIAL DESIGN	Philip	Richard	06/29/2023
02					
03					



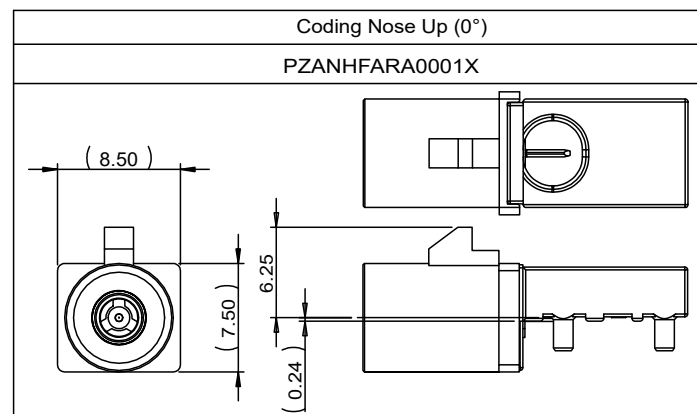
**SPECIFICATION**  
**MATERIAL:**  
 Insulator: PA  
 Contacts: Copper Alloy  
 Shell: Zinc Alloy  
**CONTACT PLATING:**  
 Contact area: 6u" Selective Gold  
 Solder tails area: 50u"~150u" Tin(Matte)  
**ELECTRICAL:**  
 Impedance: 50Ω  
 Insulator Resistance: 1000MΩ Min. at 100V DC  
 Withstanding Voltage: AC 800Vrms Min. 60Hz  
 Voltage Rating: AC 335Vrms  
 Current Rating: 1.0A Max.  
 Contact Resistance: 10mΩ Max. at 20mV Max.  
 Operation Temp. Range: -40 degree to +105 degree  
 Mating Cycles: 25 insertions  
**PACKING STYLE:**  
 Tape Reel




<b>RoHS COMPLIANT</b>	Unit:mm(inch)	PROJECTION	<b>JPC connectivity</b>	
	GENERAL TOLERANCES: (UNLESS SPECIFIED)	D.R. 06/29/2023	TITLE	PD./FILE NO.
	0 = ±1 (0.039)	Philip	Fakra Plug X-Code Connector	
	0.0 = ±5 (0.02)	CH.K 06/29/2023	PCB Mid-mount, CH=0.24mm	
0.000 = ±.15 (0.006)	Philip	SCALE	SIZE	PART NO.
0° = ± 2'	APV.D 06/29/2023	3:1	A4	PZANHFA0001X
0.0° = ± 1'	Richard			REV. 01
				SHEET 1 OF 2

Codings							
Coding	A	B	C	D	E	F	G
Plug							
Color	Black	White	Blue	Bordeaux Violet	Green	Brown	Grey
Coding	H	I	K	L	M	N	Z
Plug							
Color	Violet	Beige	Curry	Camine Red	Pastel Orange	Pastel Green	Water Blue

KEY	Product Name	Color	P/N.
A	Fakra Plug A-Code Connector,PCB Mid-mount,CH=0.24mm	Black	PZANHFARA0001A
B	Fakra Plug B-Code Connector,PCB Mid-mount,CH=0.24mm	White	PZANHFARA0001B
C	Fakra Plug C-Code Connector,PCB Mid-mount,CH=0.24mm	Blue	PZANHFARA0001C
D	Fakra Plug D-Code Connector,PCB Mid-mount,CH=0.24mm	Bordeaux Violet	PZANHFARA0001D
E	Fakra Plug E-Code Connector,PCB Mid-mount,CH=0.24mm	Green	PZANHFARA0001E
F	Fakra Plug F-Code Connector,PCB Mid-mount,CH=0.24mm	Brown	PZANHFARA0001F
G	Fakra Plug G-Code Connector,PCB Mid-mount,CH=0.24mm	Grey	PZANHFARA0001G
H	Fakra Plug H-Code Connector,PCB Mid-mount,CH=0.24mm	Violet	PZANHFARA0001H
I	Fakra Plug I-Code Connector,PCB Mid-mount,CH=0.24mm	Beige	PZANHFARA0001I
K	Fakra Plug K-Code Connector,PCB Mid-mount,CH=0.24mm	Curry	PZANHFARA0001K
L	Fakra Plug L-Code Connector,PCB Mid-mount,CH=0.24mm	Camine Red	PZANHFARA0001L
M	Fakra Plug M-Code Connector,PCB Mid-mount,CH=0.24mm	Pastel Orange	PZANHFARA0001M
N	Fakra Plug N-Code Connector,PCB Mid-mount,CH=0.24mm	Pastel Green	PZANHFARA0001N
Z	Fakra Plug Z-Code Connector,PCB Mid-mount,CH=0.24mm	Water Blue	PZANHFARA0001Z



RoHS COMPLIANT	Unit:mm (inch)	PROJECTION 	JPC connectivity	
	GENERAL TOLERANCES: (UNLESS SPECIFIED)	D.R. 06/29/2023 Philip	TITLE	PD./FILE NO.
	0 ±1 (0.039) 0.0 ±1.5 (0.02) 0.00 ±1.3 (0.012) 0.000±.15(0.006) 0° ± 2' 0.0° ± 1'	CH.K 06/29/2023 Philip	Fakra Plug X-Code Connector PCB Mid-mount , CH=0.24mm	
		APV.D 06/29/2023 Richard	SCALE SIZE PART NO. 3:1 A4 PZANHFARA0001X	REV. 01 SHEET 2 OF 2